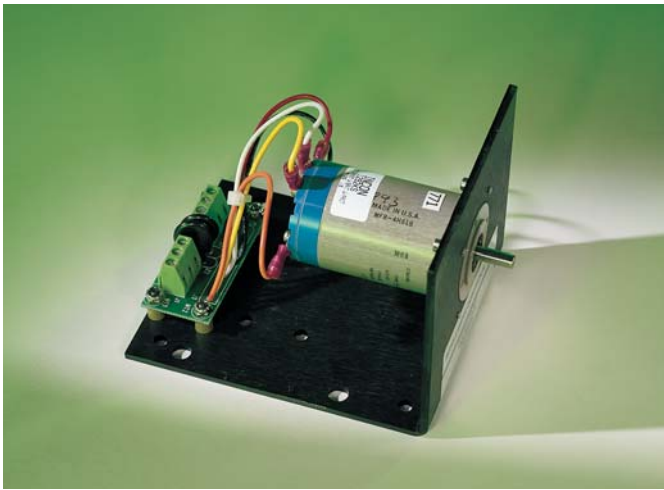


# Synchro Rotary Position Transmitter

## with Optional Mounting Bracket and Surge Suppression

ACCESSORIES  
**1292 SERIES**



**INCON**<sup>®</sup>  
INTELLIGENT CONTROLS

The preferred position indicating technology where reliability, rugged design and accurate, absolute position data are critical.

### Advantages

- Designed for use with Models 1250 and 1255 programmable, solid-state data acquisition and display units from INCON
- Extra-rugged right-angle bracket assembly for parallel-to-surface mounting
- Circuit board terminations for easy wiring
- Surge suppression for transient protection

### Applications

- Transformer load tap changers
- Equipment position
- Hydro-electric spillway and generator gates
- Valves of all kinds
- Machine tools
- Cable reels and hoists
- Screw conveyors and more

### Options

Product is available with a surge suppression option (Model 1292S), with a mounting bracket (Model 1292K) or both (Model 1292KS)

### Features

- Very fine resolution extremely accurate and reliable
- Does not require re-zeroing or periodic calibration
- Excellent noise immunity
- Stable over time and temperature
- Virtually unlimited life

### Highlights

- Highly accurate output signal corresponds to rotary position
- Absolute position sensor, no zero-position loss after power-down
- Extra-rugged right-angle bracket assembly for secure installation
- Circuit board terminals for easy wiring connections
- Surge suppression for transient protection
- Reliable, rugged, long-life indicator
- Ideal for power, process and industrial equipment applications

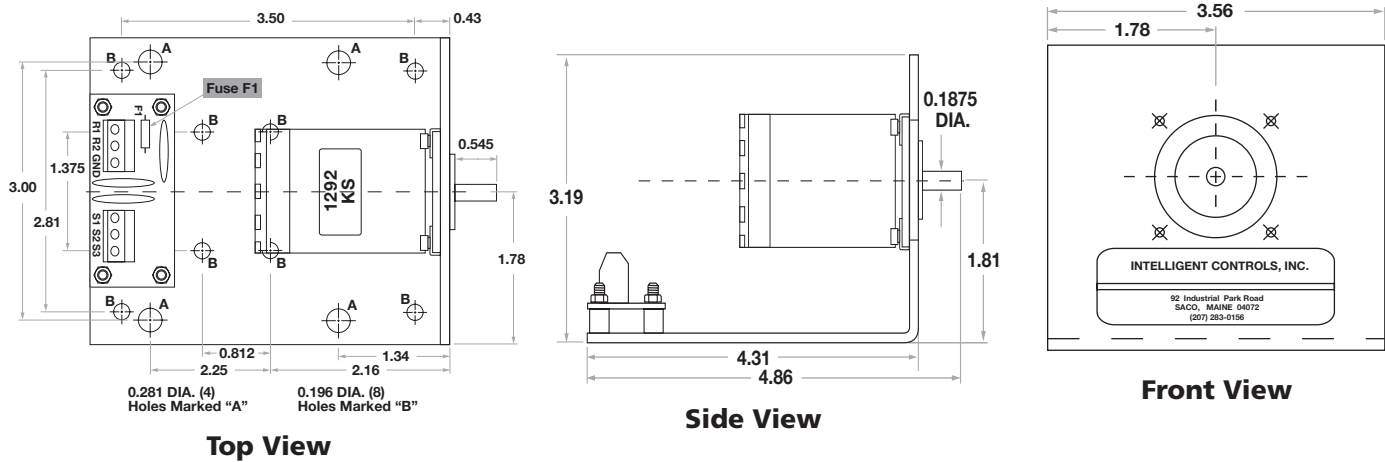
# Synchro Rotary Position Transmitter

## with Optional Mounting Bracket and Surge Suppression

ACCESSORIES  
**1292 SERIES**

### Advantages

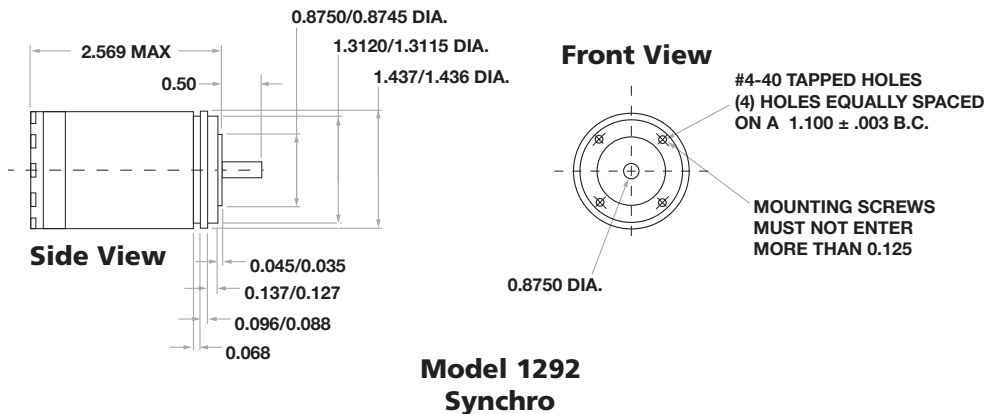
Specifications for All Models:	Operating Temperature:	Input Power:	Output Signal:	Accuracy:	Isolation:
	-55 °C to +125 °C	120 VAC, 60 Hz, 2.2 Watts	0-90 VAC Variable, on 3-Phases (Synchro)	±0.1 Degree	900 Volts, Windings to GND
Individual Model Specs:	Model 1292	Model 1292K	Model 1292KS	Model 1292S	1292K-G
Mounting:	Synchro Flange	"L" Bracket	"L" Bracket	Synchro Flange	Custom Bracket
Wire Terminations:	Ring Lugs Provided	Ring Lugs Provided	Phoenix Terminal Blocks	Phoenix Terminal Blocks	Ring Lugs Provided
Wire Size:	22-18 AWG	22-18 AWG	28-14 AWG	28-14 AWG	22-18 AWG
Surge Protection:	None	None	150 Volt, 14 mm Metal Oxide Varistors (3 ea.)	150 Volt, 14 mm Metal Oxide Varistors (3 ea.)	None
Fuse Protection:	None	None	5A Fast Blow	5A Fast Blow	None



Top View

Side View

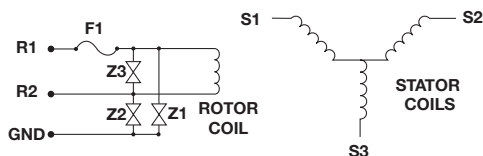
Front View



Side View

Front View

Model 1292  
Synchro



1292 with Surge  
Protection Module



Intelligent Controls, Inc.  
PO Box 638, Saco, Maine 04072  
Tel: 800-872-3455 / 207-283-0156  
Fax: 207-283-0158



www.incon.com