

DSDP



OPTImizer² SF₆ Gas Density & Temperature Sensor

The DSDP measures the true density of SF₆ gas (not temperature compensated pressure), using patented quartz oscillator technology. Temperature and density measurements are digitally transmitted over two-wire, power-line-carrier interface.


Specifications:

Operating Principal:	Oscillating Quartz
Density Range:	0 to 60 grams per liter (kg/m ³) SF ₆
Temperature Range:	-40 to +85°C
Mounting Thread:	G3/8" Male British Standard Parallel
Seal:	Neoprene O-ring (provided)
Mounting Orientation:	Vertical, threads at top preferred
Accuracy:	+/- 1% of measured value and +/- 1% of range
Temperature Signal:	+/-1°C @ ambient temperature, +/-3°C at -40 to 85°C
Output Signal:	Digital
Supply Voltage:	10 to 20 Volts DC
Electrical Connections:	2-Wire (10 foot cable provided)
Operating Temperature:	-40 to +70°C
Operating Pressure:	-1 to +20 Bar

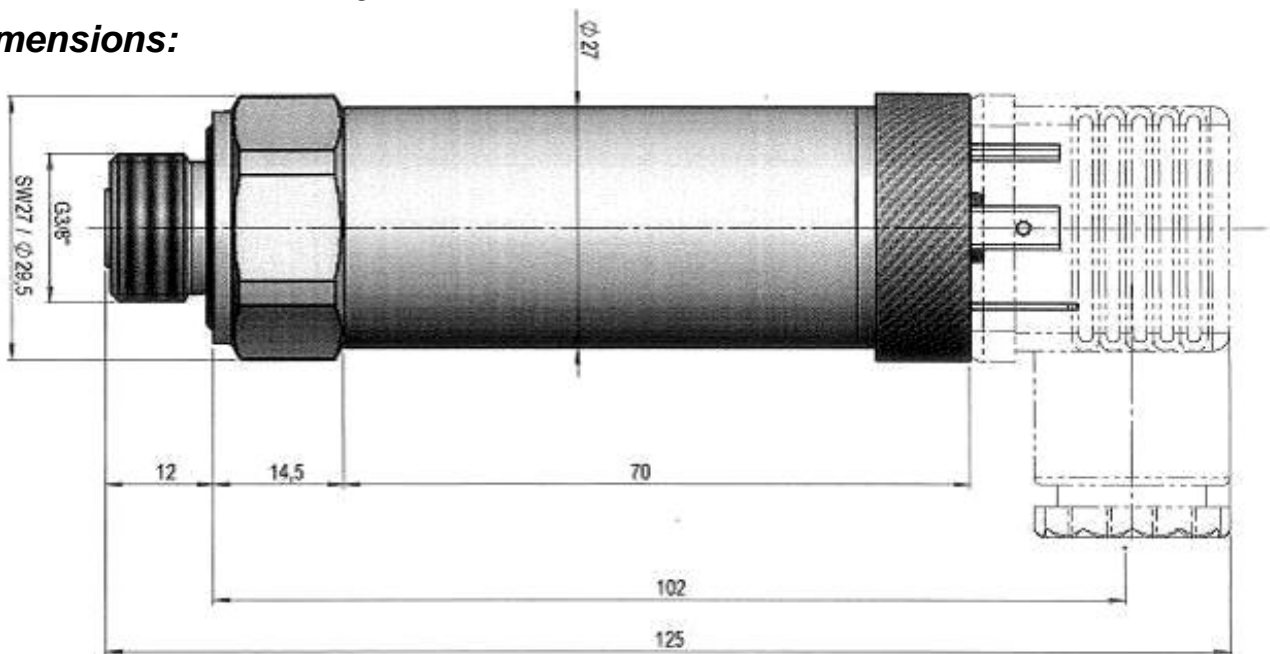
Installation:

- Mount the sensor as close as possible to the SF₆ vessel.
- Any air in the piping to the sensor can delay accurate density measurement for up to two weeks.

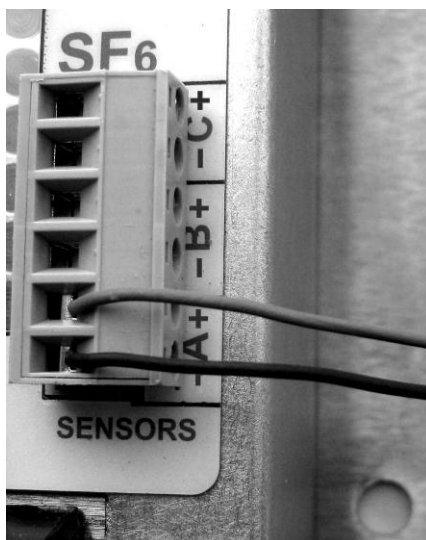
 Do not expose the sensor to vacuum greater than one atmosphere.

 Thread sealing compound (Dow 111 or equivalent) is recommended in addition to the O-ring seal.

Dimensions:



Wiring:



SF₆ Sensor Connections:

- Pin 1: Connect to OPTImizer² "+" Terminal (Red Wire)
- Pin 2: Connect to OPTImizer² "-" Terminal (Black Wire)
- Pin 3: No Connection
- Ground Pin: No Connection

