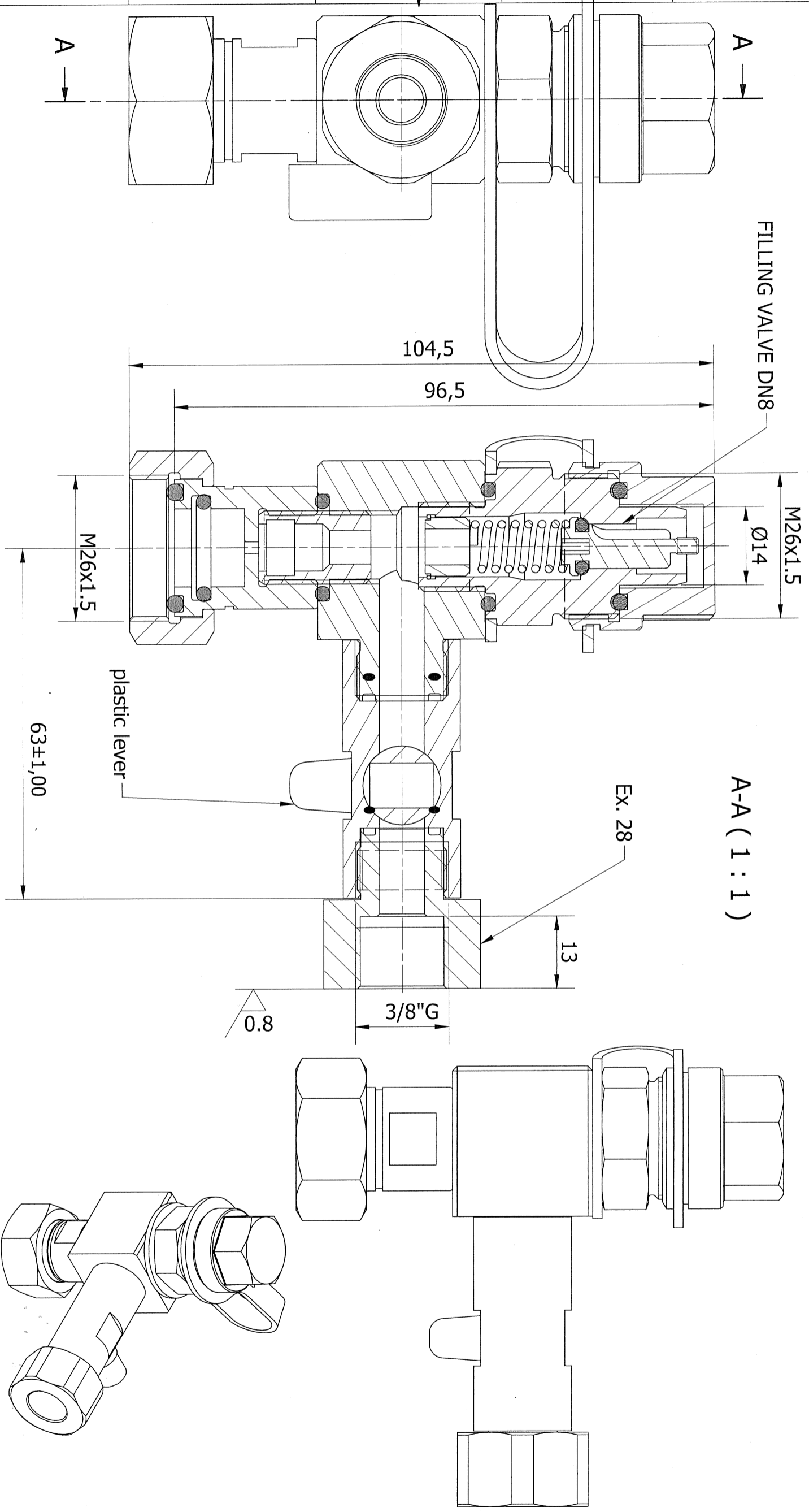


Rev./Mod A Descrizione: SHUT-OFF VALVE	Date 31/07/2014	Rev./Mod B Descrizione: 3/8" connection	Date 01/08/2014	Rev./Mod C Descrizione: inserito logo	Date 07.08.2014	Rev./Mod *** Descrizione: ***	Date ***	Rev./Mod *** Descrizione: ***	Date ***	Rev./Mod *** Descrizione: ***	Date ***
--	--------------------	---	--------------------	---	--------------------	-------------------------------------	-------------	-------------------------------------	-------------	-------------------------------------	-------------



TECHNICAL FEATURE	FIG. 1	FIG. 2	FIG. 3
BODY MATERIAL :	AL6082 ANODIZED	AISI 303	
O-RING MATERIAL :	EPDM 70PC	EPDM 70PC	
TEMPERATURE RANGE :	-40°C +80°C	-40°C +80°C	
PASSAGE SECTION :	32mm ²	32mm ²	
LEAKAGE RATE :	<1x10-9mbarxl/sec	<1x10-9mbarxl/sec	
SPRING MATERIAL :	AISI 302	AISI 302	

Prep. Dis. M. Vescovi	Resp. Dep. Uff. Resp.	Version:	Title Apparatus	Doc. No. N° Doc.	Lang. Lingua	Scale Scala	N° Pagg.
App. M. Bosio	Uff. Tecnico		0M-DN8TV	DN8 TEE VALVE		1:1	
Rev./Mod. 0	Creation date:						
NOTE :							

SUITABLE CONNECTING PART



0M-DN8TV